

Features

- Universal input 85~264VAC or 120~370VDC
- Operating Temperature Range: -40~85°
- Encapsulated Power Supply (PSU)
- Approved to cURus, UKCA, CE, FCC, CB
- Safety standards to IEC/EN/UL 62368-1, ANSI/AAMI ES 60601-1
- Efficiency up to 93%
- EMC EN60601-1-2, EN55011, EN55032 & FCC Class B Certified
- Single Output 5-53V DC



Ideal Power's 43MSD40USxy 40W Series JST Connector DC/DC Converters are certified to cURus, UKCA, CE, FCC, CB, RoHS, REACH & IEC/EN/ANSI/AAMI ES 60601-1, IEC/EN/UL 62368-1 Standards and comply with Efficiency Regulations. These are primarily used in ITE, Video & Audio, Medical Industries and customised solutions are available upon request.

Part Number Structure

M	S	D	40	U	S	12	<input type="checkbox"/>	-	<input type="checkbox"/>	<input type="checkbox"/>
Application	Dimension Code	Output Power (W)	Input Voltage (VAC)	Output Quantity	Output Voltage (VDC)	Protection Type	Connector Options	Package Code		
Medical Application			U: Universal 85 ~ 264	S: Single	3P3:3.3 05:5 7P5:7.5 09:9 12:12 121:12 151:15 15:15 18:18 24:24 28:28 36:36 48:48 53:53	B: Class II	<input type="checkbox"/> :JST <input type="checkbox"/> : Pin Type <input type="checkbox"/> : Molex <input type="checkbox"/> : Terminal Block	<input type="checkbox"/> : None <input type="checkbox"/> : Din Rail Type		

Models

Model Number	Input Range	Output Voltage	Output current Natural Convection	Max Output Power	Input Power @ No Load	Efficiency	Maximum Capacitor Load
	VAC	VDC	A	A	A	%	µF
43MSD40US05-D 43MSD40US05-T	85 ~ 264	5	8	40	0.11	90	16000
43MSD40US7P5-D 43MSD40US7P5-T	85 ~ 264	7.5	5.34	40	0.11	90	7120
43MSD40US09-D 43MSD40US09-T	85 ~ 264	9	4.45	40	0.11	91	4945
43MSD40US12-D 43MSD40US12-T	85 ~ 264	12	3.34	40	0.11	92	2785
43MSD40US121-D 43MSD40US121-T	85 ~ 264	12	3.34	40	0.11	90	2785
43MSD40US15-D 43MSD40US15-T	85 ~ 264	15	2.67	40	0.11	92	1780
43MSD40US151-D 43MSD40US151-T	85 ~ 264	15	2.67	40	0.11	90	1780
43MSD40US18-D 43MSD40US18-T	85 ~ 264	18	2.23	40	0.11	91	1250
43MSD40US24-D 43MSD40US24-T	85 ~ 264	24	1.67	40	0.11	92	700
43MSD40US28-D 43MSD40US28-T	85 ~ 264	28	1.43	40	0.11	91	510
43MSD40US36-D 43MSD40US36-T	85 ~ 264	36	1.12	40	0.11	92	310
43MSD40US48-D 43MSD40US48-T	85 ~ 264	48	0.84	40	0.11	93	175
43MSD40US53-D 43MSD40US53-T	85 ~ 264	53	0.77	40	0.11	92.5	140

Input Specifications

Parameter	Conditions	Min	Typ	Max	Unit
Operating input voltage range	AC input	85	--	264	VAC
	DC input	120	--	370	VDC
Input frequency	AC input	47	--	63	Hz
Input current	100VAC and Full Load	--	--	1.0	A
	240VAC and Full Load	--	--	0.5	A
No load input power	230VAC	Connector type	0.15	--	Watts
		Pin type	0.11	--	
Leakage current	264VAC	--	75	--	µA
Start-up time		--	--	1000	ms
Rise time		--	20	--	ms
Hold up time	115VAC and Full Load	--	25	--	ms
Input inrush current	230VAC	--	60	--	A
Input protection	Internal fuse in line and neutral				T3.15A/250VAC

Output Specifications

Parameter	Conditions		Min	Typ	Max	Unit
Output power			--	--	40	Watts
Initial set voltage accuracy	230VAC and Full Load		-1.0	--	+1.0	%
Line regulation	Low Line to High Line at Full Load		-0.2	--	+0.2	%
Load regulation	No Load to Full Load	5Vout	-0.7	--	+0.7	%
		Others	-0.5	--	+0.5	
	10% Load to 90% Load	5Vout	-0.6	--	+0.6	
		Others	-0.4	--	+0.4	
Voltage adjustability	Connector type	5Vout	-20	--	+10	2
	Pin type	Others	-10	--	+10	
Minimum load			--	0	--	%
Ripple and Noise	Measured by 20MHz bandwidth					
	With a 10µF/25V 1206 X7R MLCC	5Vout, 7.5Vout, 9Vout	--	75	--	mVp-p
		12Vout, 15Vout, 18Vout	--	75	--	
	With a 1µF/50V 1206 X7R MLCC	24Vout, 28Vout, 36Vout	--	75	--	
With a 0.1µF/100V 1206 X7R MLCC		48Vout, 53Vout	--	150	--	
Temperature coefficient			-0.02	--	+0.02	%/°C
Transient response	Load step from 50 ~ 75% change at 2.5A/µs	Peak deviation	--	--	3	% Vout
		Recovery time	--	600	--	µs
Over voltage protection	% of Vout(nom); Automatics recovery		125	--	140	%
Overload protection	% of lout rated; Hiccup mode		--	145	--	%
Short circuit protection			Continuous, automatics recovery			

General Specifications

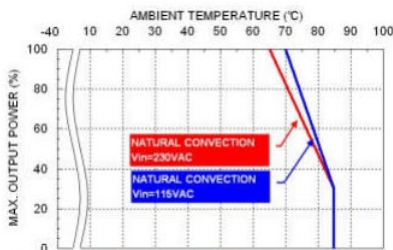
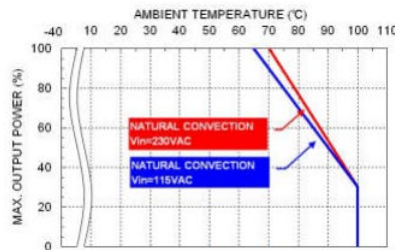
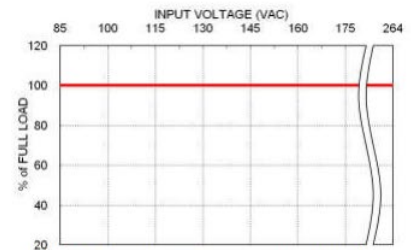
Parameter	Conditions		Min	Typ	Max	Unit
Isolation voltage	1 minute (2MOPP insulation)	Input to Output	4000	--	--	VAC
		Input (Output) to F.G.	2500	--	--	
Isolation resistance	500VDC		0.1	--	--	GΩ
Switching frequency	230VAC and Full Load	5Vout	--	70	--	kHz
		Others	--	120	--	
Safety approvals	IEC/ EN/ ANSI/AAMI ES 60601-1 IEC/ EN/ UL 62368-1					UL:E360199 UL:E193009 CB:UL(Demko)
Weight		Connector type				295g (10.41oz)
		Pin type				265g (9.35oz)
MTBF	MIL-HDBK-217F, Full load					3.010 x 10 ⁶ hrs

Environmental Specifications

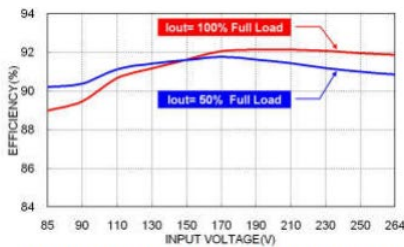
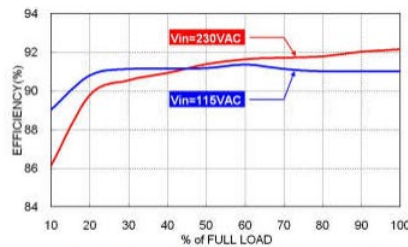
Parameter	Conditions		Min	Typ	Max	Unit
Operating ambient temperature	Natural convection	With derating	-40	--	+85	°C
Storage temperature range			-40	--	+85	°C
Operating altitude			--	--	5000	m
Shock						IEC60068-2-27
Vibration						IEC60068-2-6
Relative humidity	Non-condensing					5% to 95% RH

EMC Specifications

Parameter	Conditions		Level	
EMI	EN55011, EN55032, EN60601-1-2 and FCC Part 18 / 15		Conducted	Class B
			Radiated	Class B
Harmonic currents	EN61000-3-2	Full Load	Class A	
Voltage flicker	EN61000-3-3			
EMS	EN55024 and EN60601-1-2			
ESD	EN61000-4-2	Perf. Criteria A		
Radiated immunity	EN61000-4-3	20 V/m	Perf. Criteria A	
Fast transient	EN61000-4-4	± 2kV	Perf. Criteria A	
Surge	EN61000-4-5	DM ± 1kV and CM ± 2kV	Perf. Criteria A	
Conducted immunity	EN61000-4-6	20 Vr.m.s	Perf. Criteria A	
Power frequency magnetic field	EN61000-4-8	30A/m	Perf. Criteria A	
Dip and interruptions	EN61000-4-11			

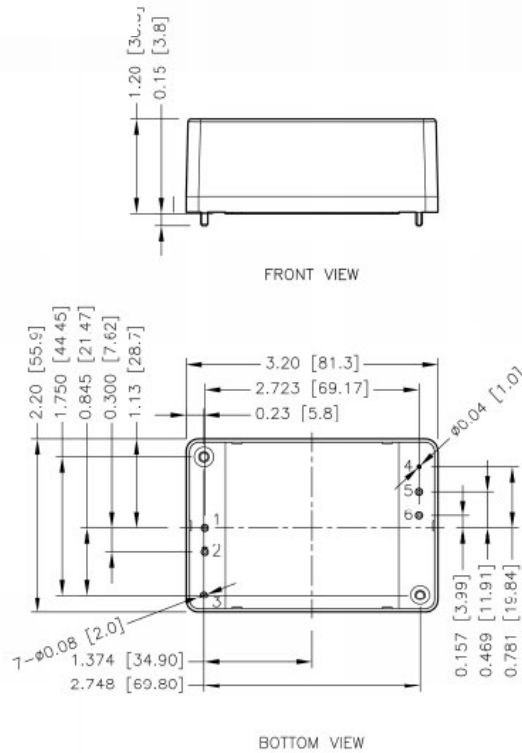
Characteristic Curve

 Derating Curve vs. Ambient Temperature
 Connector Option : (□: JST)

 Derating Curve vs. Ambient Temperature
 Connector Option : (-M / -T / -D)


43MSD40 Derating Curve vs. Input Voltage


 43MSD40US24 Efficiency VS
 Input Voltage

 43MSD40US24 Efficiency VS
 Output Load

Mechanical Drawing

43MSD-D Pin type



1.All dimensions in inch [mm]
 Tolerance : x.xx \pm 0.02 [x.x \pm 0.5]
 x.xxx \pm 0.010 [x.xx \pm 0.25]

Pin Connection

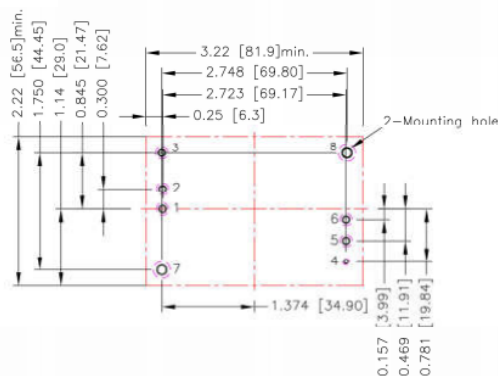
For Class I : (43MSD40USXX-D)

For Class II : (43MSD40USXX-D)

Pin	Single	Diameter	Pin	Single	Diameter
1	Neutral	0.08 Inch	1	Neutral	0.08 Inch
2	Line	0.08 Inch	2	Line	0.08 Inch
3	PE	0.08 Inch	3	No Pin	No Pin
4	Trim	0.04 Inch	4	Trim	0.04 Inch
5	-Vout	0.08 Inch	5	-Vout	0.08 Inch
6	+Vout	0.08 Inch	6	+Vout	0.08 Inch

Recommended Pad Layout

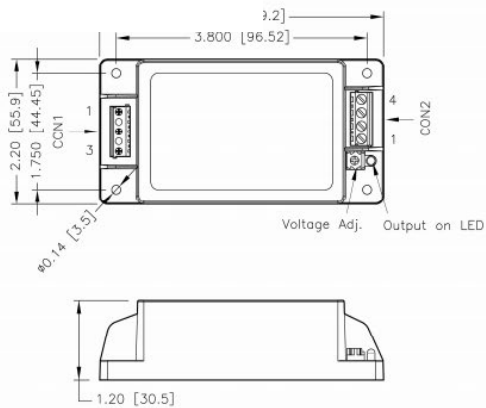
43MSD-D Pin type



1.All dimensions in inch[mm]
 Pad size(lead free recommended)
 Through hole 4: ϕ 0.051[1.30]
 Through hole 1.2.3.5.6: ϕ 0.091[2.30]
 Through hole of mounting: ϕ 0.126[3.20]
 Top view pad 4: ϕ 0.064[1.63]
 Top view pad 1.2.3.5.6: ϕ 0.113[2.88]
 Top view pad of mounting: ϕ 0.157[4.00]
 Bottom view pad 4: ϕ 0.102[2.60]
 Bottom view pad 1.2.3.5.6: ϕ 0.181[4.60]
 Bottom view pad of mounting: ϕ 0.252[6.40]
 2.The screw locked torque: MAX 3.5Kgf.cm/0.34N.m

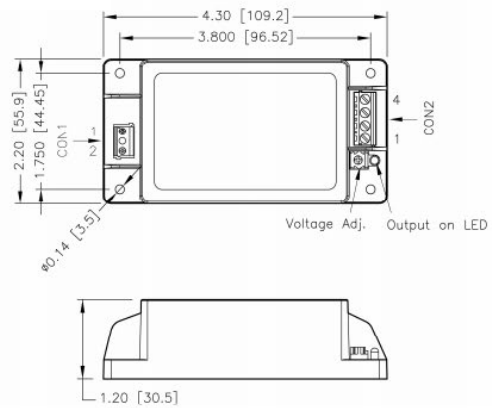
Mechanical Drawing

43MSD-T Class I



FRONT VIEW

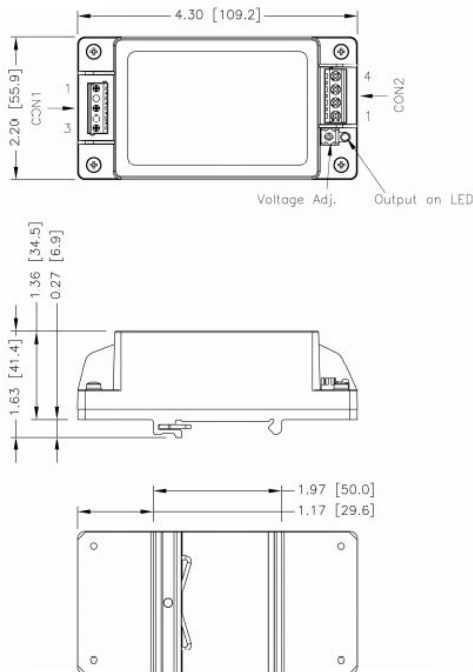
43MSD-T Class II



FRONT VIEW

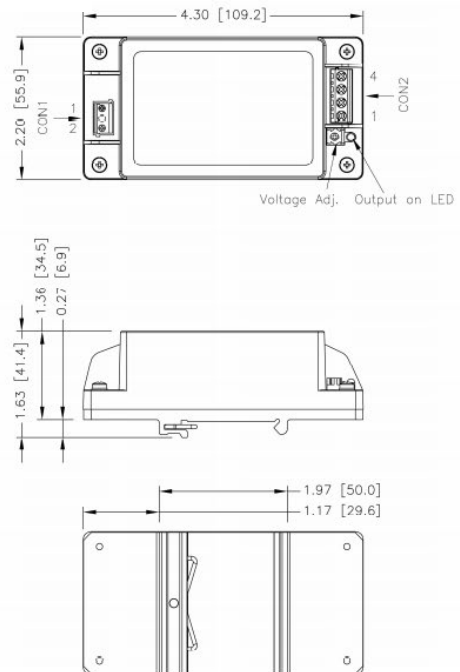
1.All dimensions in inch [mm] Tolerance : x.xx±0.02 [x.x±0.5] x.xxx±0.010 [x.xx±0.25]

43MSD-TD1 Class I



BOTTOM VIEW

43MSD-TD1 Class II



BOTTOM VIEW

1.All dimensions in inch [mm] Tolerance : x.xx±0.02 [x.x±0.5] x.xxx±0.010 [x.xx±0.25]

Connector Connections

For Class I

CON1 – Input Connector	
Pin 1	PE
Pin 2	Line
Pin 3	Neutral

CON2 – Output Connector	
Pin 1,2	-Vout
Pin 3,4	+Vout

For Class II

CON1 – Input Connector	
Pin 1	Line
Pin 2	Neutral

CON2 – Output Connector	
Pin 1,2	-Vout
Pin 3,4	+Vout

*Either one of four screws holes of Chassis type can be considered as PE connection for CLASS I application.

Ideal Power Limited

14 Larks Way, Tree Beech Enterprise Park, Gunn, Barnstaple, Devon, England, EX32 7NZ.

www.idealpower.co.uk | +44 (0) 845 260 3400

Connector Options
FOR CLASS I

Blank: JST Type

Mates with housing
CON1: **VHR-5N**
CON2: **VHR-4N**

Crimp terminals
CON1: **SVH-21T-P1.1**
CON2: **SVH-21T-P1.1**



-M Molex Type

Mates with housing
CON1: **09-50-8051**
CON2: **09-50-8041**

Crimp terminals
CON1: **SD-2478**
CON2: **SD-2478**



-T Terminal Block

Mates with
Screw locked torque
MAX 2Kgf.cm/0.2N.m

Wire dimension range
26 ~ 16AWG


FOR CLASS II

Blank: JST Type

Mates with housing
CON1: **VHR-3N**
CON2: **VHR-4N**

Crimp terminals
CON1: **SVH-21T-P1.1**
CON2: **SVH-21T-P1.1**



-M Molex Type

Mates with housing
CON1: **09-50-8031**
CON2: **09-50-8041**

Crimp terminals
CON1: **SD-2478**
CON2: **SD-2478**



-T Terminal Block

Mates with
Screw locked torque
MAX 2Kgf.cm/0.2N.m

Wire dimension range
26 ~ 16AWG


Output Voltage Adjustment

It allows the user to increase or decrease the output voltage of the module.

This is accomplished by connecting an external resistor between the Trim pin and either the +Vout or -Vout pins.

With an external resistor between the Trim and -Output pin, the output voltage increases.

With an external resistor between the Trim and +Output pin, the output voltage decreases.

The external Trim resistor needs to be at least 1/16W of rated power.

Trim Up Equation

$$R_U = \left[\frac{G \times L}{(V_{o,up} - L - K)} - H \right] \Omega$$

Trim Down Equation

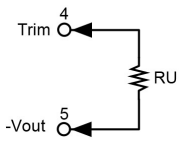
$$R_D = \left[\frac{(V_{o,down} - L) \times G}{(V_o - V_{o,down})} - H \right] \Omega$$

Trim Constants

Module	G	H	K	L
43MSD40US05-D	5100	2000	0.8	2.5
43MSD40US7P5-D	27000	2000	5	2.5
43MSD40US09-D	30000	2000	6.5	2.5
43MSD40US12-D	51000	2000	9.5	2.5
43MSD40US121-D	51000	2000	9.5	2.5
43MSD40US15-D	51000	2000	12.5	2.5
43MSD40US151-D	51000	2000	12.5	2.5
43MSD40US18-D	91000	2000	15.5	2.5
43MSD40US24-D	120000	2000	21.5	2.5
43MSD40US28-D	150000	2000	25.5	2.5
43MSD40US36-D	270000	2000	33.5	2.5
43MSD40US48-D	270000	2000	45.5	2.5
43MSD40US53-D	300000	2000	50.5	2.5

EXTERNAL OUTPUT TRIMMING

Output can be externally trimmed by using the method shown below.

Trim Up

US05

ΔV (%)	1	2	3	4	5	6	7	8	9	10
Vout (V)	5.050	5.100	5.150	5.200	5.250	5.300	5.350	5.400	5.450	5.500
RU (k Ω)	373.000	185.500	123.000	91.750	73.000	60.500	51.571	44.875	39.667	35.500

US7P5

ΔV (%)	1	2	3	4	5	6	7	8	9	10
Vout (V)	7.575	7.650	7.725	7.800	7.875	7.950	8.025	8.100	8.175	8.250
RU (k Ω)	898.000	448.000	298.000	223.000	178.000	148.000	126.571	110.500	98.000	88.000

US09

ΔV (%)	1	2	3	4	5	6	7	8	9	10
Vout (V)	9.090	9.180	9.270	9.360	9.450	9.540	9.630	9.720	9.810	9.900
RU (k Ω)	831.333	414.667	275.778	206.333	164.667	136.889	117.048	102.167	90.593	81.333

US12

ΔV (%)	1	2	3	4	5	6	7	8	9	10
Vout (V)	12.120	12.240	12.360	12.480	12.600	12.720	12.840	12.960	13.080	13.200
RU (k Ω)	1060.500	529.250	352.167	263.625	210.500	175.083	149.786	130.813	116.056	104.250

US121

ΔV (%)	1	2	3	4	5	6	7	8	9	10
Vout (V)	12.120	12.240	12.360	12.480	12.600	12.720	12.840	12.960	13.080	13.200
RU (k Ω)	1060.500	529.250	352.167	263.625	210.500	175.083	149.786	130.813	116.056	104.250

US15

ΔV (%)	1	2	3	4	5	6	7	8	9	10
Vout (V)	15.150	15.300	15.450	15.600	15.750	15.900	16.050	16.200	16.350	16.500
RU (k Ω)	848.000	423.000	281.333	210.500	168.000	139.667	119.429	104.250	92.444	83.000

US151

ΔV (%)	1	2	3	4	5	6	7	8	9	10
Vout (V)	15.150	15.300	15.450	15.600	15.750	15.900	16.050	16.200	16.350	16.500
RU (k Ω)	848.000	423.000	281.333	210.500	168.000	139.667	119.429	104.250	92.444	83.000

US18

ΔV (%)	1	2	3	4	5	6	7	8	9	10
Vout (V)	18.180	18.360	18.540	18.720	18.900	19.080	19.260	19.440	19.620	19.800
RU (k Ω)	1261.889	629.944	419.296	313.972	250.778	208.648	178.556	155.986	138.432	124.389

US24

ΔV (%)	1	2	3	4	5	6	7	8	9	10
Vout (V)	24.240	24.480	24.720	24.960	25.200	25.440	25.680	25.920	26.160	26.400
RU (k Ω)	1248.000	623.000	414.667	310.500	248.000	206.333	176.571	154.250	136.889	123.000

US28

ΔV (%)	1	2	3	4	5	6	7	8	9	10
Vout (V)	28.280	28.560	28.840	29.120	29.400	29.680	29.960	30.240	30.520	30.800
RU (k Ω)	1337.286	667.643	444.429	332.821	265.857	221.214	189.327	165.411	146.810	131.929

US36

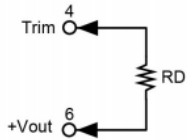
ΔV (%)	1	2	3	4	5	6	7	8	9	10
Vout (V)	36.360	36.720	37.080	37.440	37.800	38.160	38.520	38.880	39.240	39.600
RU (k Ω)	1873.000	935.500	623.000	466.750	373.000	310.500	265.857	232.375	206.333	185.500

Trim Up (Continued)
US48

ΔV (%)	1	2	3	4	5	6	7	8	9	10
Vout (V)	48.480	48.960	49.440	49.920	50.400	50.880	51.360	51.840	52.320	52.800
RU (k Ω)	1413.094	705.547	469.698	351.774	281.019	233.849	200.156	174.887	155.233	139.509

US53

ΔV (%)	1	2	3	4	5	6	7	8	9	10
Vout (V)	53.530	54.060	54.590	55.120	55.650	56.180	56.710	57.240	57.770	58.300
RU (k Ω)	3205.547	1601.774	1067.182	799.887	639.509	532.591	456.221	398.943	354.394	318.755

Trim Down

US05

ΔV (%)	1	2	3	4	5	6	7	8	9	10
Vout (V)	4.950	4.900	4.850	4.800	4.750	4.700	4.650	4.600	4.550	4.500
RU (k Ω)	365.500	178.000	115.500	84.250	65.500	53.000	44.071	37.375	32.167	28.000

US7P5

ΔV (%)	1	2	3	4	5	6	7	8	9	10
Vout (V)	7.425	7.350	7.275	7.200	7.125	7.050	6.975	6.900	6.825	6.750
RU (k Ω)	1771.000	871.000	571.000	421.000	331.000	271.000	228.143	196.000	171.000	151.000

US09

ΔV (%)	1	2	3	4	5	6	7	8	9	10
Vout (V)	8.910	8.820	8.730	8.640	8.550	8.460	8.370	8.280	8.190	8.100
RU (k Ω)	2134.667	1051.333	690.222	509.667	401.333	329.111	277.524	238.833	208.741	184.667

US12

ΔV (%)	1	2	3	4	5	6	7	8	9	10
Vout (V)	11.880	11.760	11.640	11.520	11.400	11.280	11.160	11.040	10.920	10.800
RU (k Ω)	3984.500	1965.750	1292.833	956.375	754.500	619.917	523.786	451.688	395.611	350.750

US121

ΔV (%)	1	12	3	4	5	6	7	8	9	10
Vout (V)	11.880	11.760	11.640	11.520	11.400	11.280	11.160	11.040	10.920	10.800
RU (k Ω)	3984.500	1965.750	1292.833	956.375	754.500	619.917	523.786	451.688	395.611	350.750

US15

ΔV (%)	1	2	3	4	5	6	7	8	9	10
Vout (V)	14.850	14.700	14.550	14.400	14.250	14.100	13.950	13.800	13.650	13.500
RU (k Ω)	4197.000	2072.000	1363.667	1009.500	797.000	655.333	554.143	478.250	419.222	372.000

US151

ΔV (%)	1	2	3	4	5	6	7	8	9	10
Vout (V)	14.850	14.700	14.550	14.400	14.250	14.100	13.950	13.800	13.650	13.500
RU (k Ω)	4197.000	2072.000	1363.667	1009.500	797.000	655.333	554.143	478.250	419.222	372.000

US18

ΔV (%)	1	2	3	4	5	6	7	8	9	10
Vout (V)	17.820	17.640	17.460	17.280	17.100	16.920	16.740	16.560	16.380	16.200
RU (k Ω)	7743.111	3825.056	2519.037	1866.028	1474.222	1213.019	1026.444	886.514	777.679	690.611

US24

ΔV (%)	1	2	3	4	5	6	7	8	9	10
Vout (V)	23.760	23.520	23.280	23.040	22.800	22.560	22.320	22.080	21.840	21.600
RU (k Ω)	10628.000	5253.000	3461.333	2565.500	2028.000	1669.667	1413.714	1221.750	1072.444	953.000

Trim Down (Continued)
US28

ΔV (%)	1	2	3	4	5	6	7	8	9	10
Vout (V)	27.720	27.440	27.160	26.880	26.600	26.320	26.040	25.760	25.480	25.200
RU (k Ω)	13508.714	6678.357	4401.571	3263.179	2580.143	2124.786	1799.531	1555.589	1365.857	1214.071

US36

ΔV (%)	1	2	3	4	5	6	7	8	9	10
Vout (V)	35.640	35.280	34.920	34.560	34.200	33.840	33.480	33.120	32.760	32.400
RU (k Ω)	24853.000	12290.500	8103.000	6009.250	4753.000	3915.500	3317.286	2868.625	2519.667	2240.500

US48

ΔV (%)	1	2	3	4	5	6	7	8	9	10
Vout (V)	47.520	47.040	46.560	46.080	45.600	45.120	44.640	44.160	43.680	43.200
RU (k Ω)	25321.750	12524.875	8259.250	6126.437	4846.750	3993.625	3384.250	2927.219	2571.750	2287.375

US53

ΔV (%)	1	2	3	4	5	6	7	8	9	10
Vout (V)	52.470	51.940	51.410	50.880	50.350	49.820	49.290	48.760	48.230	47.700
RU (k Ω)	28282.906	13990.453	9226.302	6844.226	5414.981	4462.151	3781.558	3271.113	2874.101	2556.491